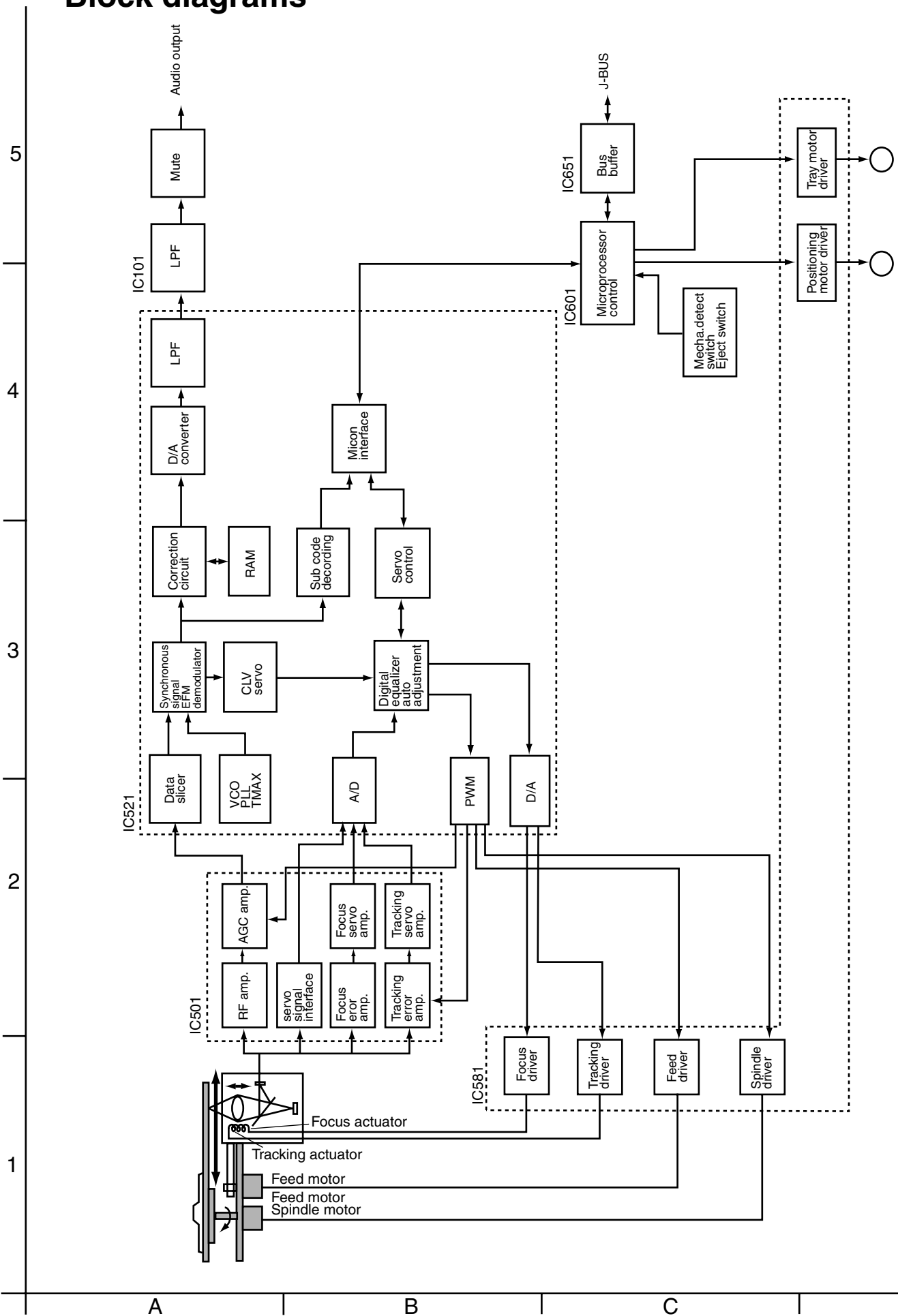


In regard with component parts appearing on the silk-screen printed side (parts side) of the PWB diagrams, the parts that are printed over with black such as the resistor (■), diode (▣) and ICP (●) or identified by the "▲" mark nearby are critical for safety. When replacing them, be sure to use the parts of the same type and rating as specified by the manufacturer. (Except the JC version)

# Block diagrams



**< MEMO >**

# Standard schematic diagrams

CH-X400/CH-X450

CH-X400/CH-X450

## Main section 1/2

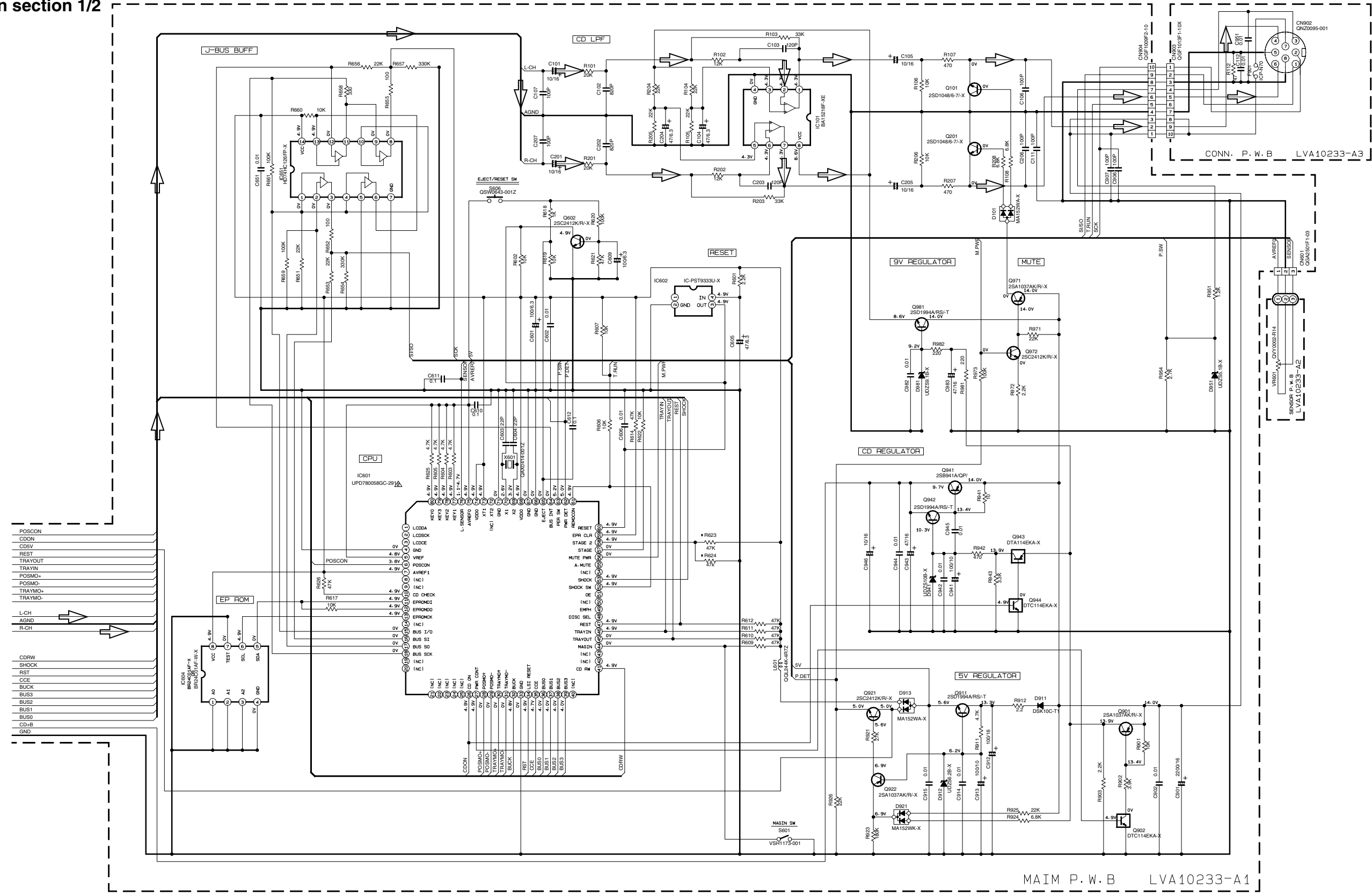
5

4

3

2

1



MAIM P. W. B LVA10233-A1

* CD-RW	R623	R624
CH-X400J2/E2	X	O
CH-X450U2	O	X
Except Avobe		



- NOTES
- VOLTAGES ARE DC-MEASURED WITH A DIGITAL VOLT METER WITHOUT INPUT SIGNAL CONDITION---CD MODE.
  - UNLESS OTHERWISE SPECIFIED, ALL RESISTORS ARE 1/10W OR 1/4W ±5% METAL GLAZE RESISTOR. ALL CAPACITORS ARE 50V OR 25V CERAMIC CAPACITOR. ALL RESISTANCE VALUES ARE IN OHM. ALL CAPACITANCE VALUES ARE IN UF(P=PF) ALL E. CAPACITORS ARE SHOWN IN THE FORM OF CAPACITANCE(UF)/RATED VOLTAGE(V)

➡ CD Signal

A

B

C

D

E

F

G

■ Main section 2/2

- NOTES
1. VOLTAGES ARE DC-MEASURED WITH A DIGITAL VOLT METER WITHOUT INPUT SIGNAL. CONDITION—CD MODE.
  2. UNLESS OTHERWISE SPECIFIED:  
 ALL RESISTORS ARE 1/4W OR 1/4W 1% METAL GLAZE RESISTOR.  
 ALL CAPACITORS ARE 50V OR 25V CERAMIC CAPACITOR.  
 ALL RESISTANCE VALUES ARE IN OHM.  
 ALL CAPACITANCE VALUES ARE IN uF(P=pF)  
 ALL E-CAPACITORS ARE SHOWN IN THE FORM OF CAPACITANCE(uF)/RATED VOLTAGE(V)

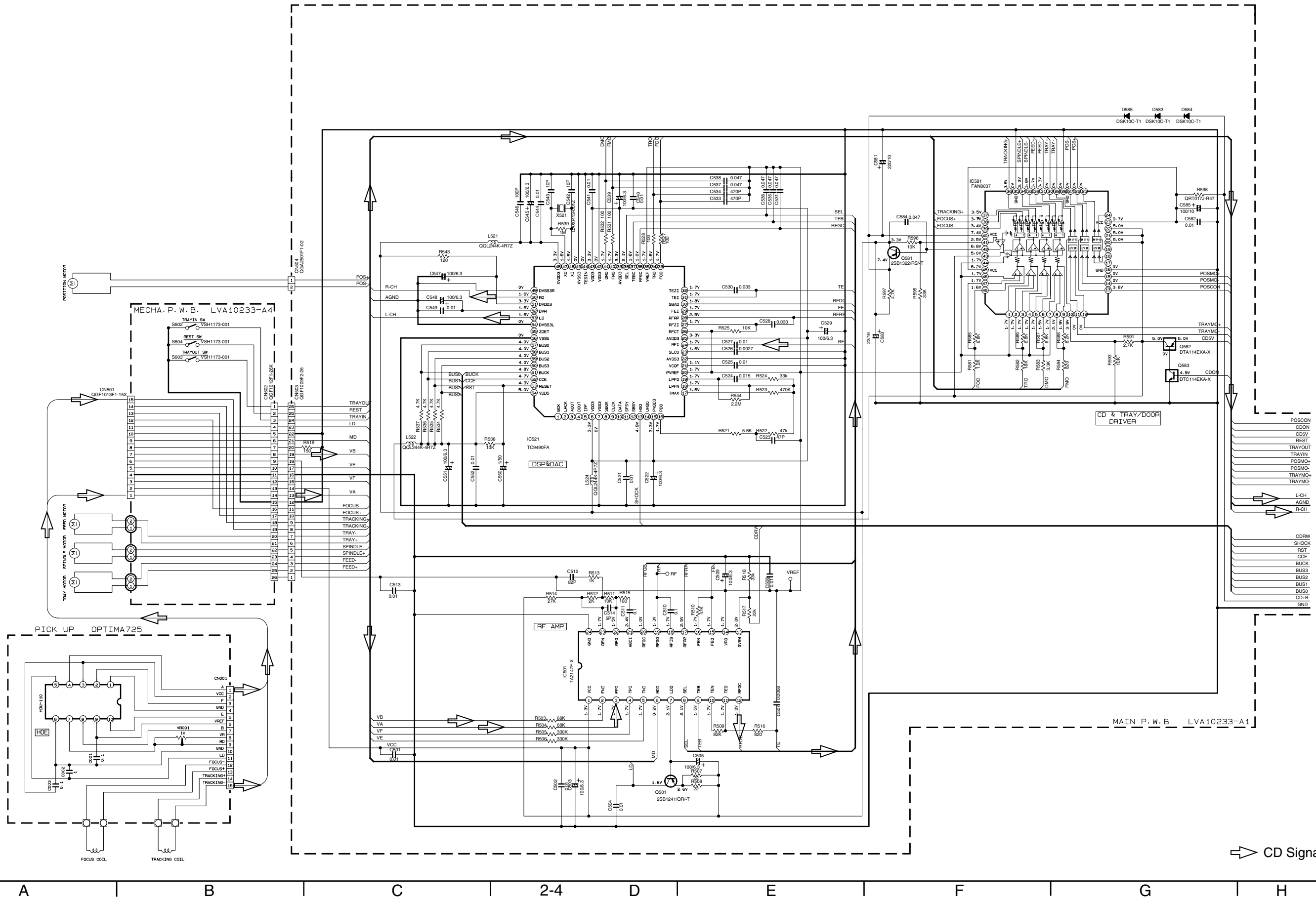
5

4

3

2

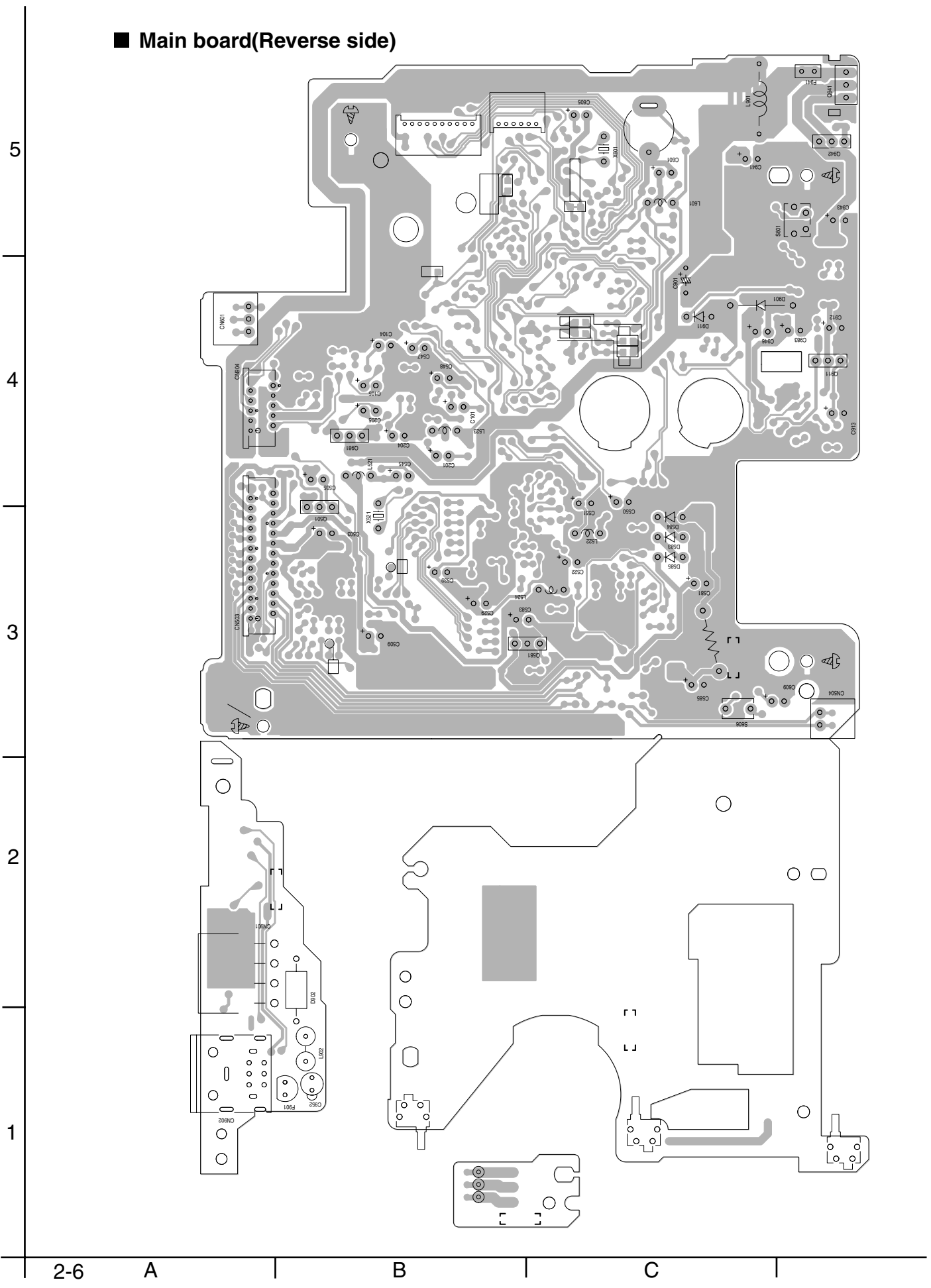
1



△ CD Signal



■ Main board(Reverse side)



< MEMO >